



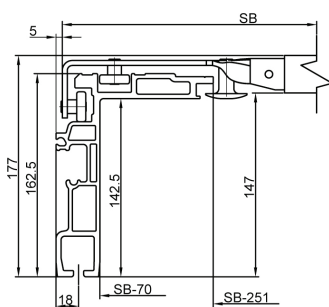
SESAM MULTILINER HIGH - OPTION TIR

## MULTILINER HIGH PRODUCT RANGE

**MULTILINER HIGH** was for many years SESAM's most suitable aluminium profile for elevation and TIR roofs. However, our R&D department carried on innovating and developed a whole new generation of roofs: **SESAM SLIMLINER**.

The past years, these volume optimized roofs have gradually replaced the traditional **MULTILINER** roofs. Therefore, **MULTILINER HIGH** will be removed from our program during this year. **As from April 2010** the aluminium profiles and specific parts will not be taken on stock anymore. From then on, please take into account longer delivery times and adjusted sales prices for these articles. An up-to-date pricelist will be send to you on time.

## SESAM SLIMLINER LARGE



**Specifications:**

Ix: 671.5 cm<sup>4</sup>  
Iy: 244.3 cm<sup>4</sup>  
weight: 6.27 Kg/m

**SLIMLINER LARGE** is the replacement of the **MULTILINER HIGH**.

This light, volume optimized aluminium rail has a width of only 35mm. However, thanks to the even higher Ix- and Iy-values of this rail, there is a minimum bending when a elevation roof is used.

**SLIMLINER LARGE** is also available in a **TIR** version. It is possible to build this TIR roof with special folding plates with a length of 592mm.

There is a use of lighter materials for the whole **SLIMLINER** range. Without backing down on the quality, the quantity of the parts is also reduced. Of course, all this is for the better of the sales price!

**WE ARE MOVING!** As from 08/02/2010 our new location will be:  
Industrie Zuid zone 2.2 | Lochtemanweg 50 | 3580 Beringen | Belgium

Questions or remarks? [info@sesam.be](mailto:info@sesam.be) or call 0032 11 60 90 90