

Enquiry     Order

Reference no. (Customer):

Customer no.:	<input type="text"/>	Order address:	<input type="text"/>
Customer:	<input type="text"/>		<input type="text"/>
Contact person:	<input type="text"/>	Delivery address:	<input type="text"/>
Telephone:	<input type="text"/>		<input type="text"/>
E-mail:	<input type="text"/>	Requested delivery date:	<input type="text"/>

## Roof Edscha TS OpenBox Railway

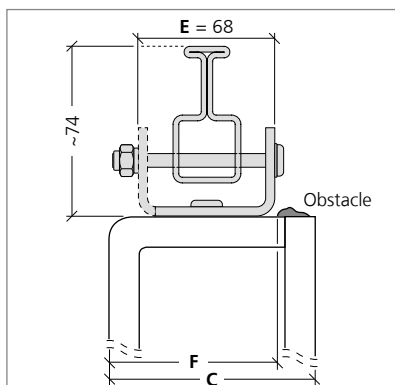
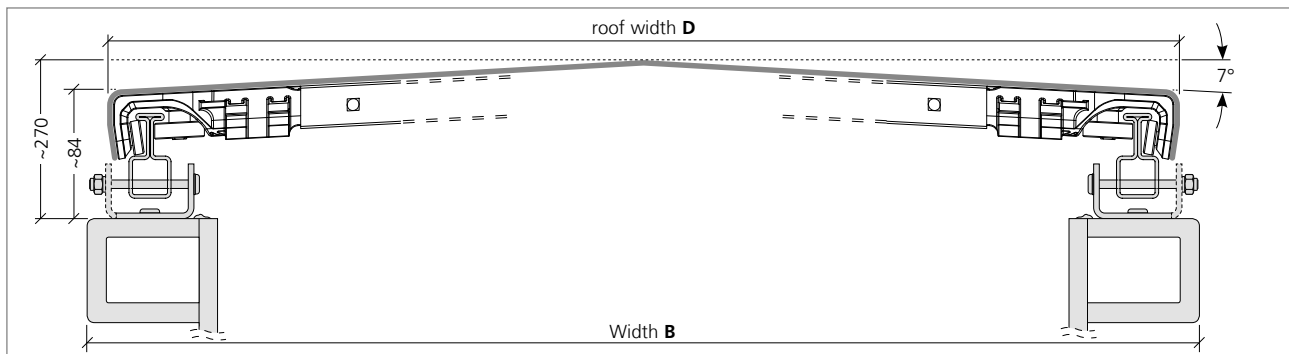
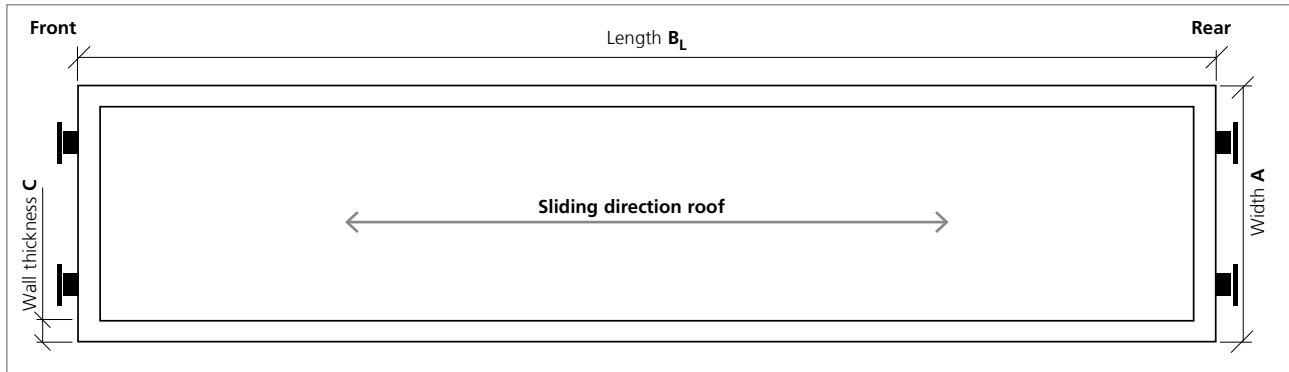
### Basic roof components dimensions

**Piece** Quantity of roofs with identical parameters

**A** =  mm  
Width

**B<sub>L</sub>** =  mm  
Length

**D** =  mm  
Roof length



**D < A**

**!** **E ≤ F**  
Watch out for obstacles!

**!** **Attention!**  
Watch out for tunnel heights!